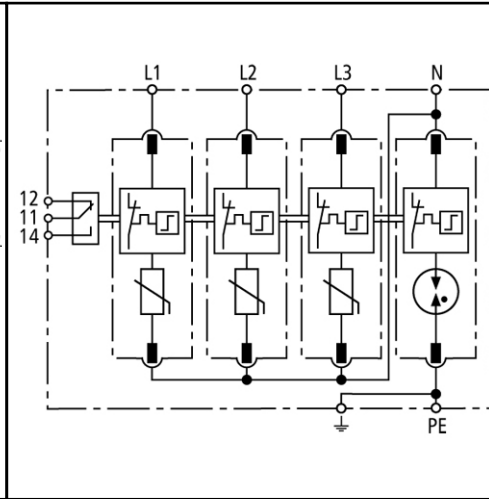


Dimension drawing DG M TT ... FM



Basic circuit diagram DG M TT ... FM



DG M TT ... (FM): Modular surge arrester for use in TT and TN-S systems ("3+1" circuit)

- Complete prewired unit for use in TT systems, consisting of a base part and plug-in protection modules
- Energy coordination within the Red/Line product family
- High discharge capacity due to powerful zinc oxide varistors/spark gaps
- High reliability due to "Thermo Dynamic Control" SPD monitoring device
- Operating state/fault indication of every protective circuit
- Multifunctional terminals for connecting conductors and busbars
- Easy replacement of protection modules without tools by module locking system with release button
- Tested for vibration- and shock-proofness acc. to EN 60068-2

DG M TT 275	
Type of SPD according to EN 61643-11	Type 2
SPD according to IEC 61643-1	Class II
Nominal a.c. voltage [U <sub>N</sub> ]	230/400 V
Max. continuous operating a.c. voltage [L-N] [U <sub>C</sub> ]	275 V
Max. continuous operating a.c. voltage [N-PE] [U <sub>C</sub> ]	255 V
Nominal discharge current (8/20 μs) [I <sub>n</sub> ]	20 kA
Max. discharge current (8/20 μs) [I <sub>max</sub> ]	40 kA
Lightning impulse current (10/350 μs) [N-PE] [I <sub>imp</sub> ]	12 kA
Voltage protection level [L-N] [U <sub>p</sub> ]	≤ 1.25 kV
Voltage protection level [L-N] for 5 kA [U <sub>p</sub> ]	≤ 1 kV
Voltage protection level [N-PE] [U <sub>p</sub> ]	≤ 1.5 kV
Follow current extinguishing capability [N-PE] [I <sub>ff</sub> ]	100 A <sub>rms</sub>
Response time [L-N] [t <sub>A</sub> ]	≤ 25 ns
Response time [N-PE] [t <sub>A</sub> ]	≤ 100 ns
Max. mains-side overcurrent protection	125 A gL/gG
Short circuit withstand capability for max. mains-side overcurrent protection	50 kA <sub>rms</sub>
Temporary overvoltage (TOV) [L-N] [U <sub>T</sub> ]	335 V / 5 sec.
Temporary overvoltage (TOV) [N-PE] [U <sub>T</sub> ]	1200 V / 200 ms
Operating temperature range [T <sub>U</sub> ]	-40°C...+80°C
Operating state/fault indication	green / red
Cross-sectional area (min.)	1.5 mm <sup>2</sup> solid/flexible
Cross-sectional area (max.)	35 mm <sup>2</sup> stranded/25 mm <sup>2</sup> flexible

<b>For mounting on</b>	35 mm DIN rail acc. to EN 60715
<b>Enclosure material</b>	red thermoplastic, UL 94 V-0
<b>Degree of protection</b>	IP 20
<b>Dimension</b>	4 mods., DIN 4
<b>Approvals, Certifications</b>	KEMA, VDE, UL, VdS
<hr/>	
<b>Ordering information</b>	
<b>Type</b>	DG M TT 275
<b>Part No.</b>	<b>952 310</b>
<b>Packing unit</b>	1 pcs.

We reserve the right to modify design, technology, dimensions, weights and materials according to technical progress. Illustrations are non-binding. Pictures may differ from the modules described.