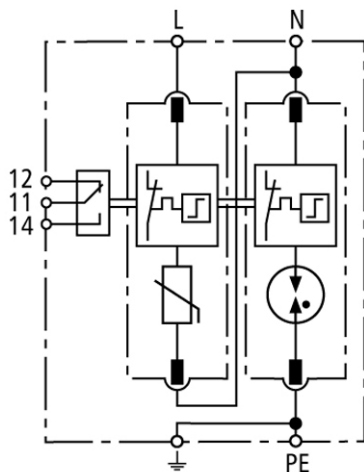
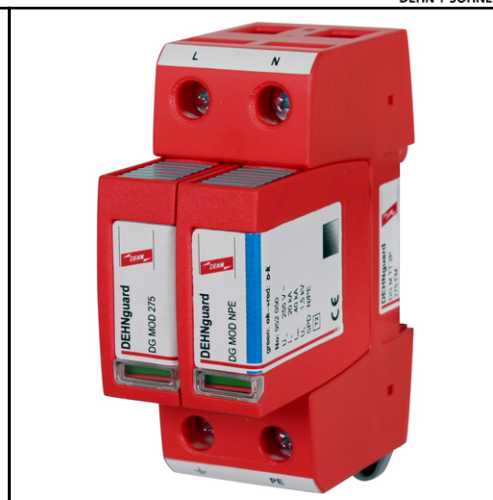


Dimension drawing DG M TT 2P ... FM



Basic circuit diagram DG M TT 2P ... FM



DG M TT 2P ... (FM): Modular surge arrester for use in single-phase 230 V TT and TN systems ("1+1" circuit)

- Complete prewired unit for use in single-phase 230 V TT and TN systems, consisting of a base part and plug-in protection modules
- Energy coordination within the Red/Line product family
- High discharge capacity due to powerful zinc oxide varistors/spark gaps
- High reliability due to "Thermo Dynamic Control" SPD monitoring device
- Operating state/fault indication for every protective circuit
- Multifunctional terminals for connecting conductors and busbars
- Easy replacement of protection modules without tools by module locking system with release button
- Tested for vibration- and shock-proofness acc. to EN 60068-2

DG M TT 2P 275

Type of SPD according to EN 61643-11	Type 2
SPD according to IEC 61643-1	Class II
Nominal a.c. voltage [U _N]	230 V
Max. continuous operating a.c. voltage [L-N] [U _C]	275 V
Max. continuous operating a.c. voltage [N-PE] [U _C]	255 V
Nominal discharge current (8/20 μs) [I _n]	20 kA
Max. discharge current (8/20 μs) [I _{max}]	40 kA
Lightning impulse current (10/350 μs) [N-PE] [I _{imp}]	12 kA
Voltage protection level [L-N] [U _p]	≤ 1.25 kV
Voltage protection level [L-N] for 5 kA [U _p]	≤ 1 kV
Voltage protection level [N-PE] [U _p]	≤ 1.5 kV
Follow current extinguishing capability [N-PE] [I _{ff}]	100 A _{rms}
Response time [L-N] [t _A]	≤ 25 ns
Response time [N-PE] [t _A]	≤ 100 ns
Max. mains-side overcurrent protection	125 A gL/gG
Short circuit withstand capability for max. mains-side overcurrent protection	50 kA _{rms}
Temporary overvoltage (TOV) [L-N] [U _T]	335 V / 5 sec.
Temporary overvoltage (TOV) [N-PE] [U _T]	1200 V / 200 ms
Operating temperature range [T _U]	-40°C...+80°C
Operating state/fault indication	green / red
Cross-sectional area (min.)	1.5 mm ² solid/flexible
Cross-sectional area (max.)	35 mm ² stranded/25 mm ² flexible

For mounting on	35 mm DIN rail acc. to EN 60715
Enclosure material	red thermoplastic, UL 94 V-0
Degree of protection	IP 20
Dimension	2 mods., DIN 4
Approvals, Certifications	KEMA, VDE, UL, VdS
<hr/>	
Ordering information	
Type	DG M TT 2P 275
Part No.	952 110
Packing unit	1 pcs.

We reserve the right to modify design, technology, dimensions, weights and materials according to technical progress. Illustrations are non-binding. Pictures may differ from the modules described.